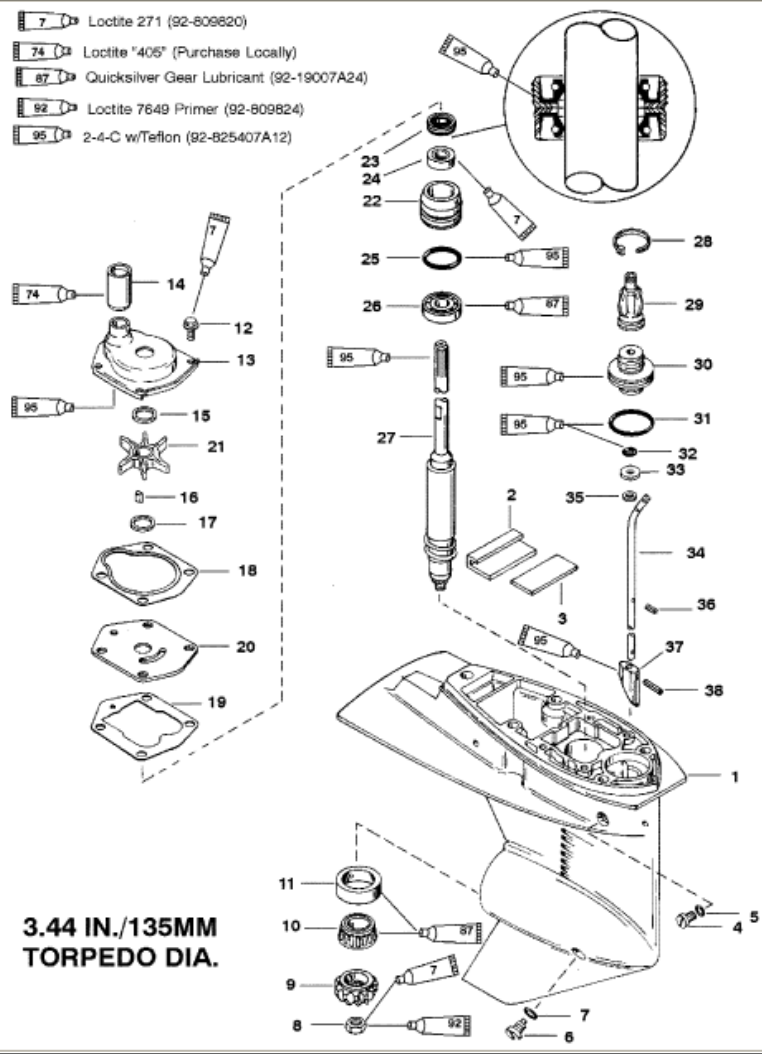


- Loctite 271 (92-809820)
- Loctite "405" (Purchase Locally)
- Quicksilver Gear Lubricant (92-19007A24)
- Loctite 7649 Primer (92-809824)
- 2-4-C w/Teflon (92-825407A12)



3.44 IN./135MM  
TORPEDO DIA.

Parts List

Ref	Class	Part	Description	Qty	Comment	Footnote
-	1682	821306T30	GEAR HOUSING	1	(SHORT) (BLACK)	
-	1682	821306T31	GEAR HOUSING	1	(SHORT) (GRAY)	
-	1682	821306T32	GEAR HOUSING	1	(LONG) (BLACK)	
-	1682	821306T33	GEAR HOUSING	1	(LONG) (GRAY)	
1	1682	821306T12	GEAR HOUSING	1	(BASIC) (BLACK)	
1	1682	821306T13	GEAR HOUSING	1	(BASIC) (GRAY)	
2		818226A	SEAL/PLATE KIT	1		
3		NSS	PLATE	1	(PART OF REF #2)	
4	10	799530 2	SCREW (.375-16 X .25)	1		
5	12	19183 2	WASHER-SEALING	1		
6	10	799530 2	DRAIN SCREW	1		
6	22	67892A	DRAIN SCREW	1	(MAGNETIC)	
7	12	19183 2	WASHER-SEALING	1		
8	11	828490	NUT	1		
9		NSS	PINION GEAR (12 TEETH) (PAR	1		
10	31	821321A 2	BEARING ASSEMBLY-ROLLER	1		
11		NSS	CUP (PART OF REF #10)	1		
12	10	824832 4	SCREW (M6 X 16)	4		
13	46	821351A 3	WATER PUMP UPPER HOUSIN	1		
14		43023	SEAL-WATER TUBE	1	(SHORT - 1-3/4)	
14		823547 1	SEAL-WATER TUBE	1	(LONG - 2-1/4)	15,18
15	12	86645 1	WASHER	1		15,18
16	28	85119	KEY	1		18
17	12	86645 1	WASHER	1		15,18
18	27	822189	GASKET	1		15,18
19	27	822217	GASKET (LOWER)	1		15,18
20		821354 2	FACE PLATE	1		18
21	47	85089 3	IMPELLER	1		18
22	46	821307A 2	WATER PUMP BASE ASSEMBL	1		
23	26	821309	SEAL-OIL	1		15
24	26	821310	SEAL-OIL	1		15
25	25	821308	O RING	1		15
26	30	821311	BALL BEARING	1		
27	45	850177A 1	DRIVESHAFT	1	(SHORT)	
27	45	832987A 1	DRIVESHAFT	1	(LONG)	
28		823548	CABLE TIE	1		15
29		822158	BOOT-SHIFT SHAFT	1		15
30		821827	RETAINER-SHIFT SHAFT	1		
31	25	26855	O RING	1		15
32	25	85594	O RING	1		15
33	12	914902	WASHER	1		